

SINGER
144W103

Form 2910w
(947)
Printed in U. S. A.

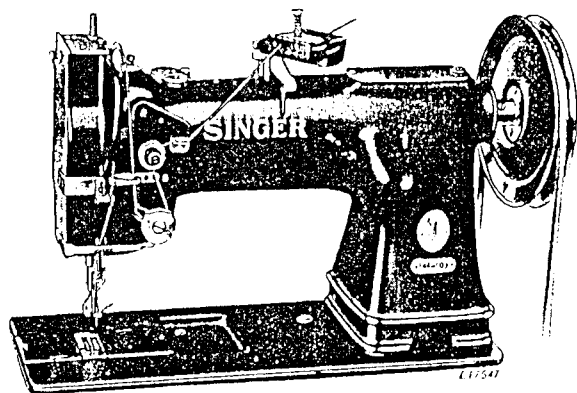
SINGER

144w103



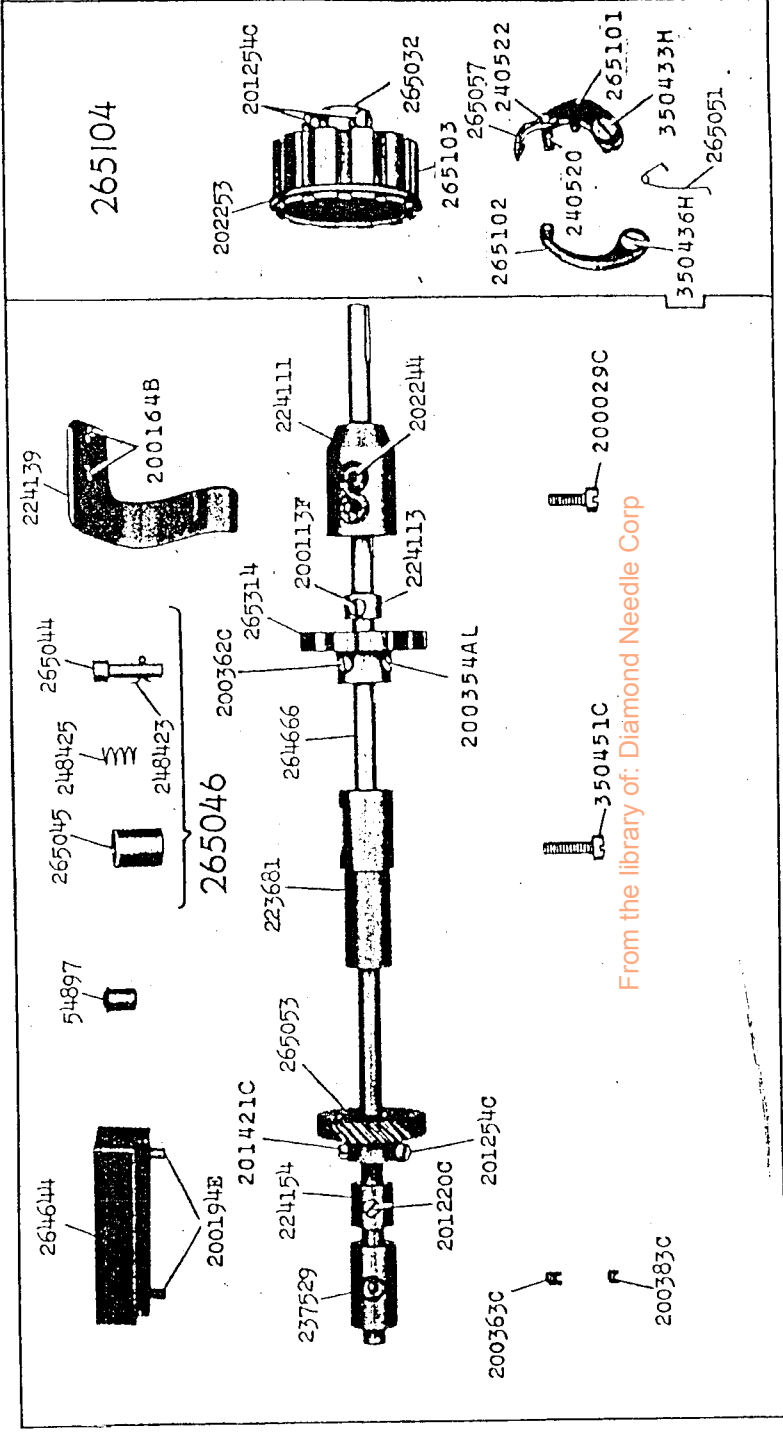
From the library of: Diamond Needle Corp

THE SINGER MANUFACTURING COMPANY



Copyright, U. S. A., 1940, 1946 and 1947
by The Singer Manufacturing Co.
All Rights Reserved for all Countries

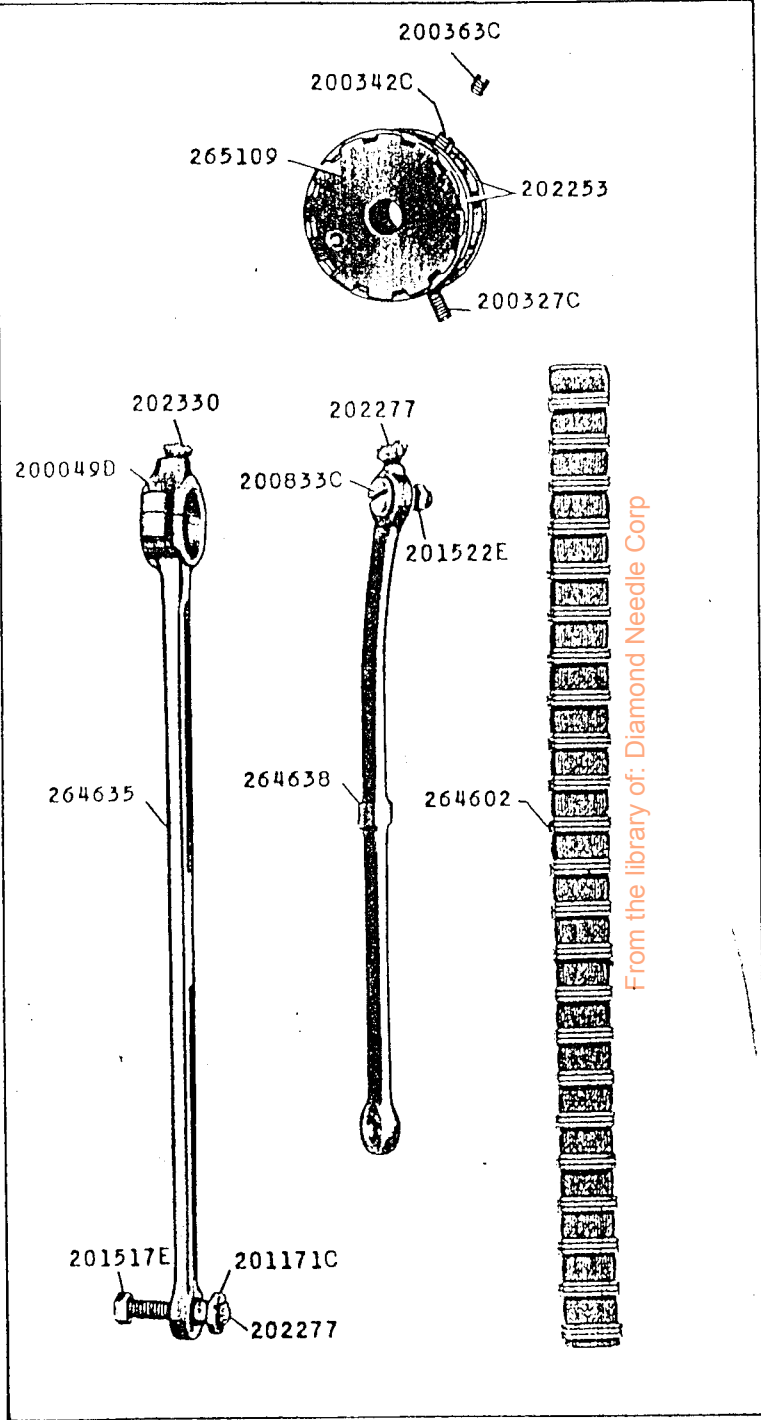
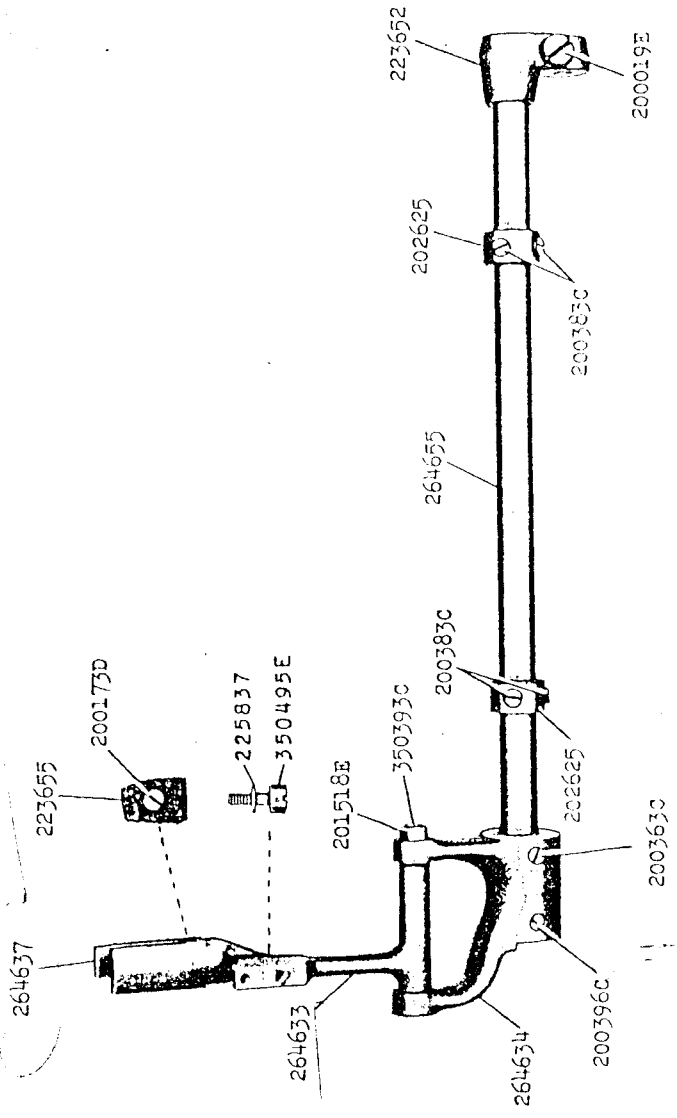
From the library of: Diamond Needle Corp



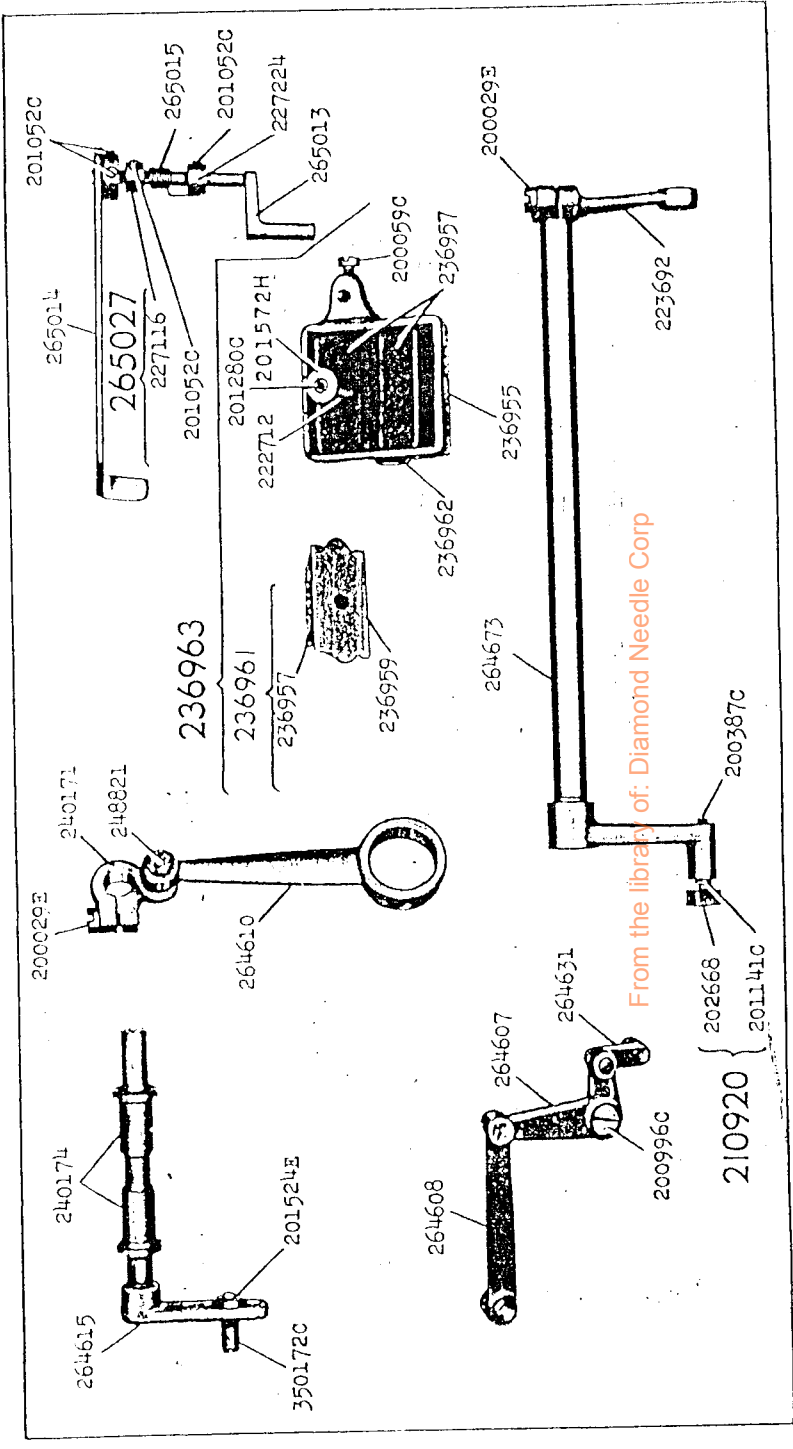
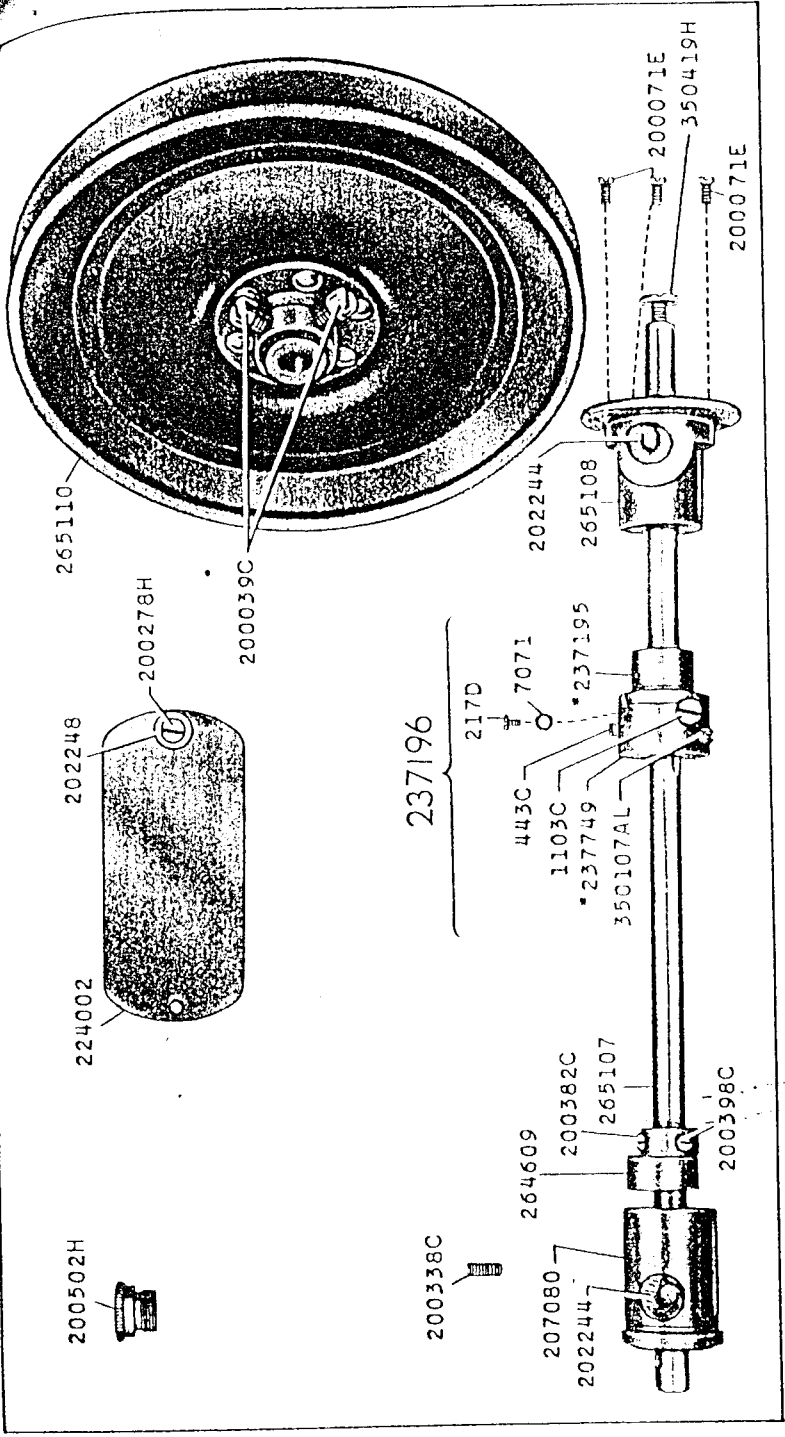
From the library of: Diamond Needle Corp

16125 - 1/2

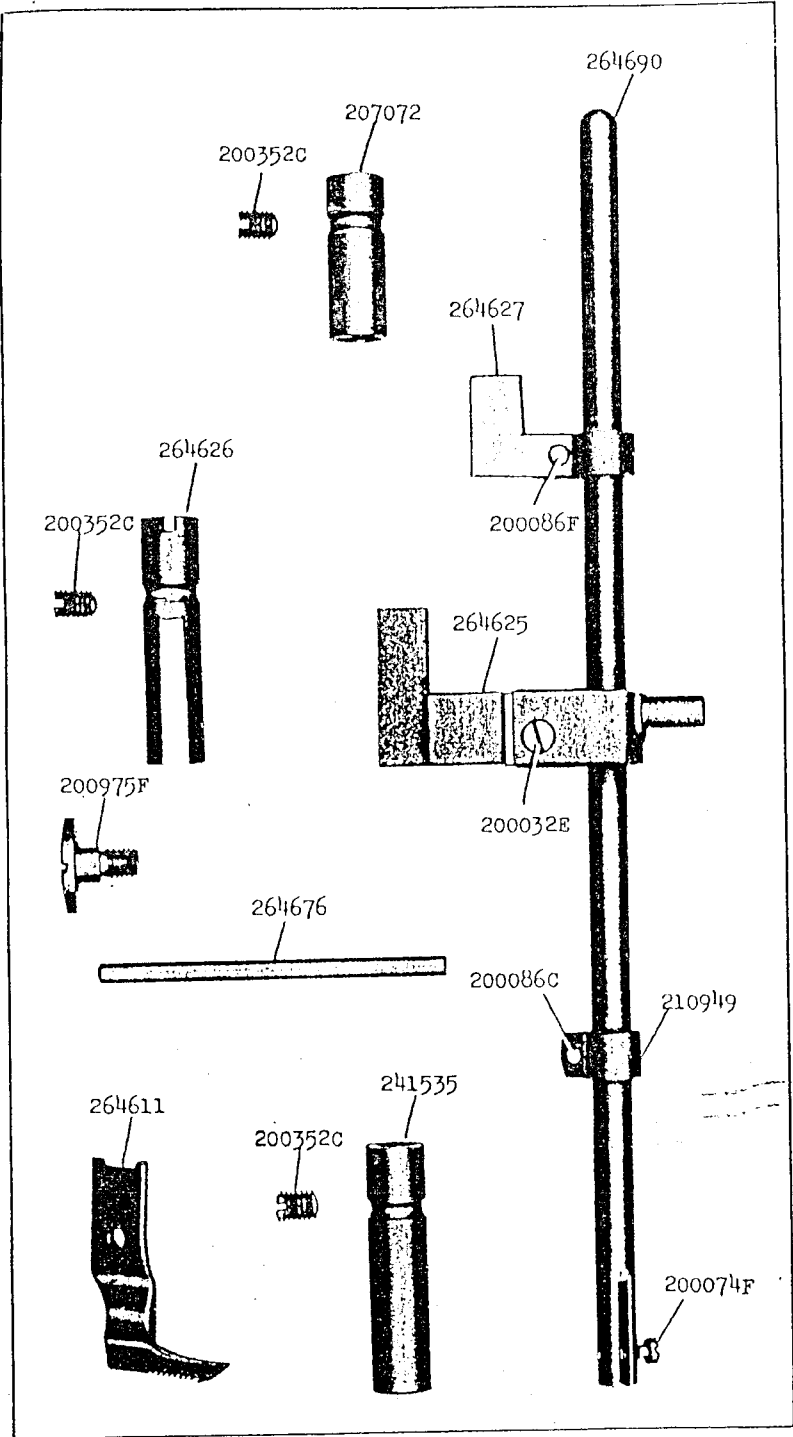
10120 - 78



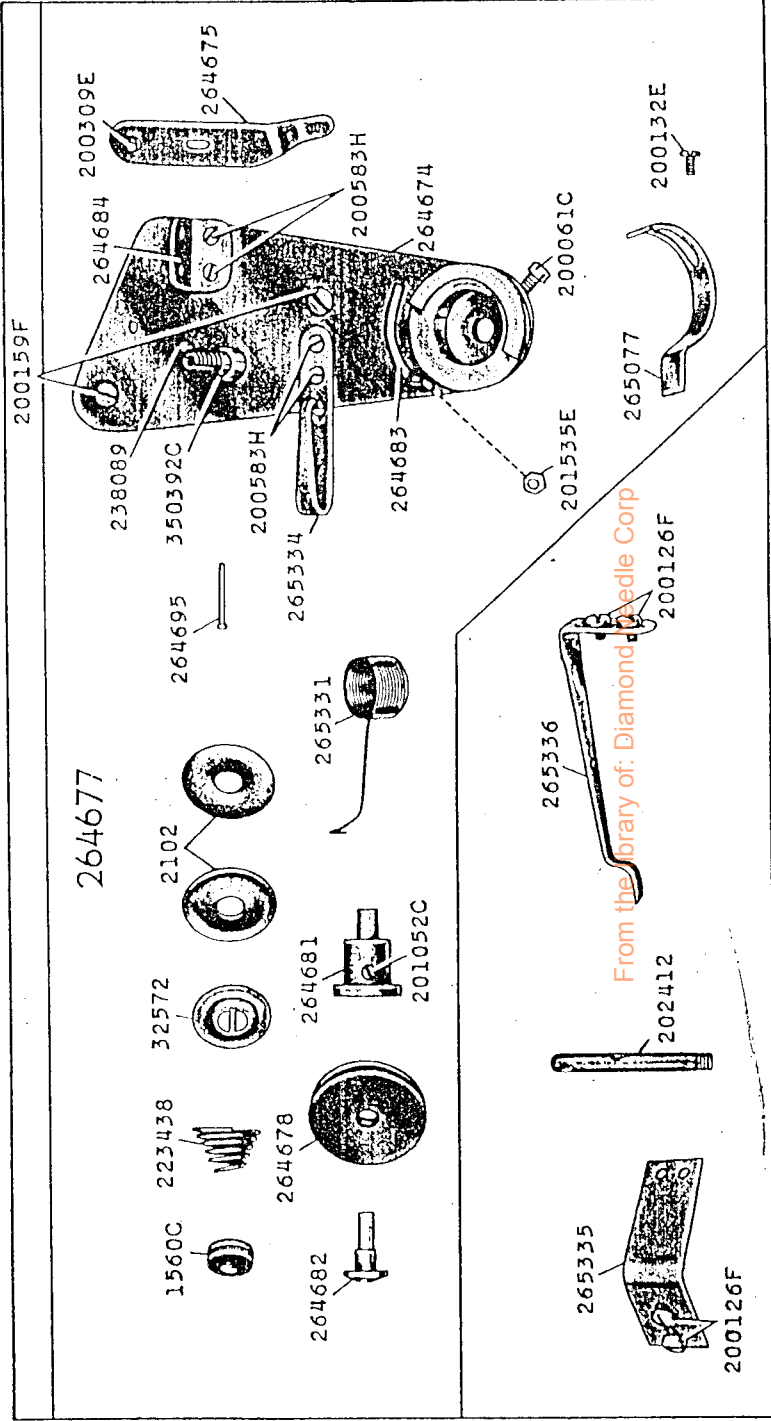
From the library of: Diamond Needle Corp



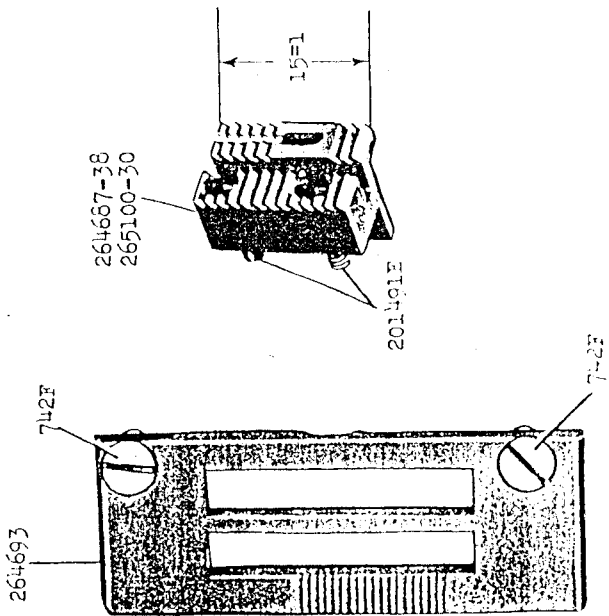
10131 - 3/8



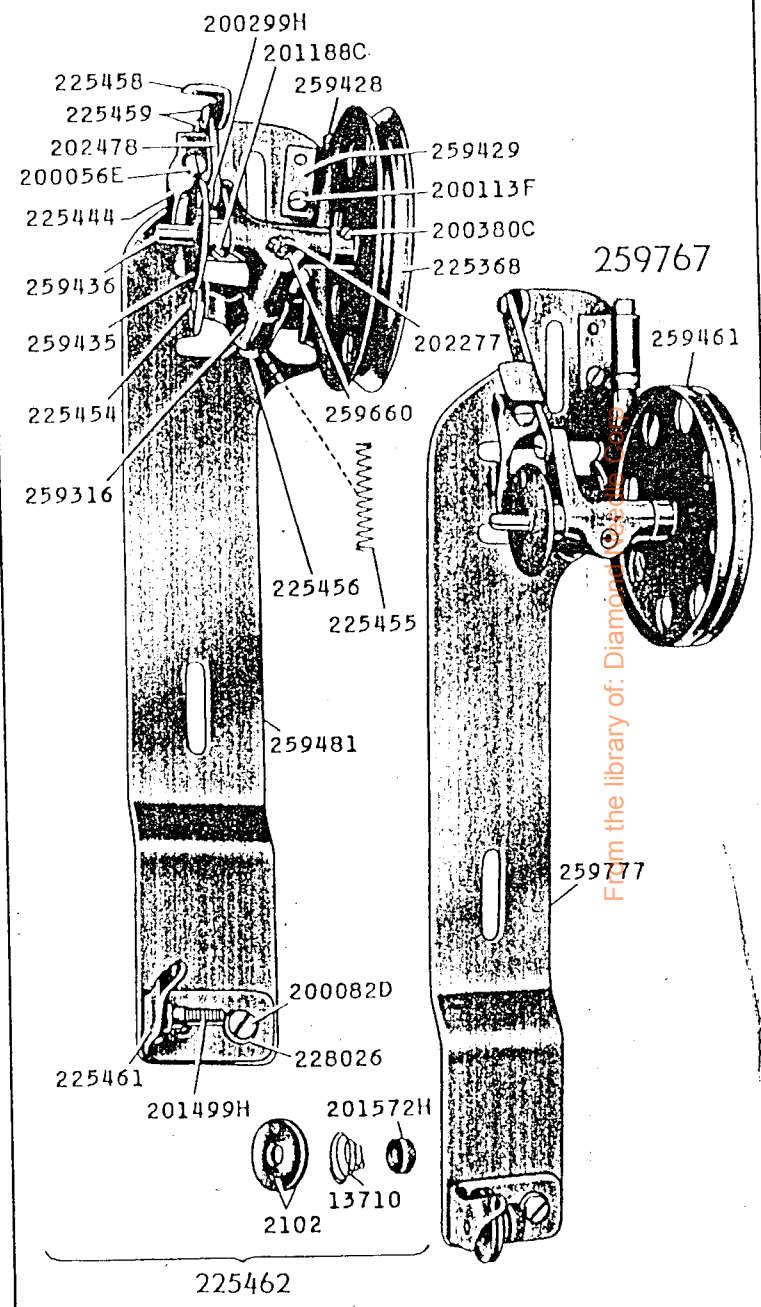
10517 - 1/2



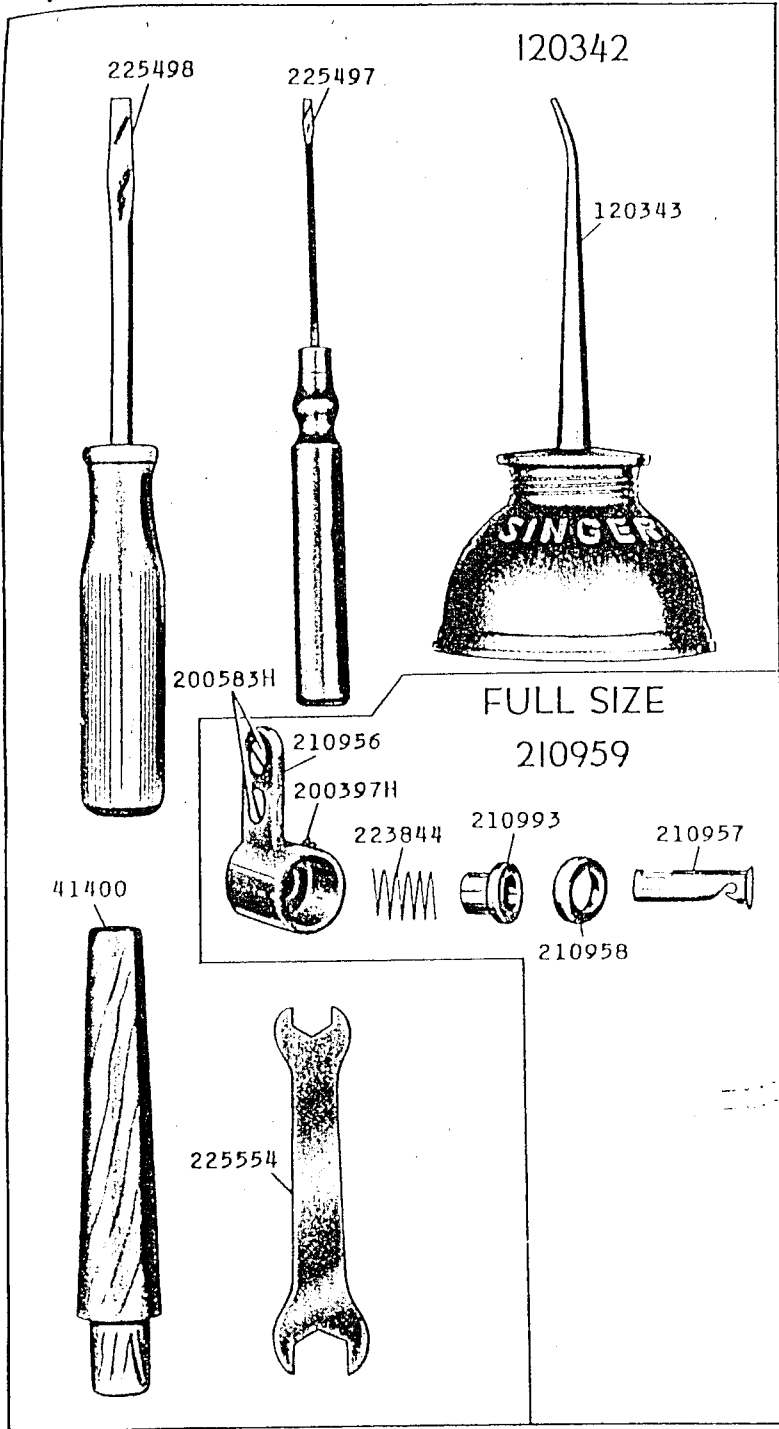
From the library of: Diamond Needle Corp



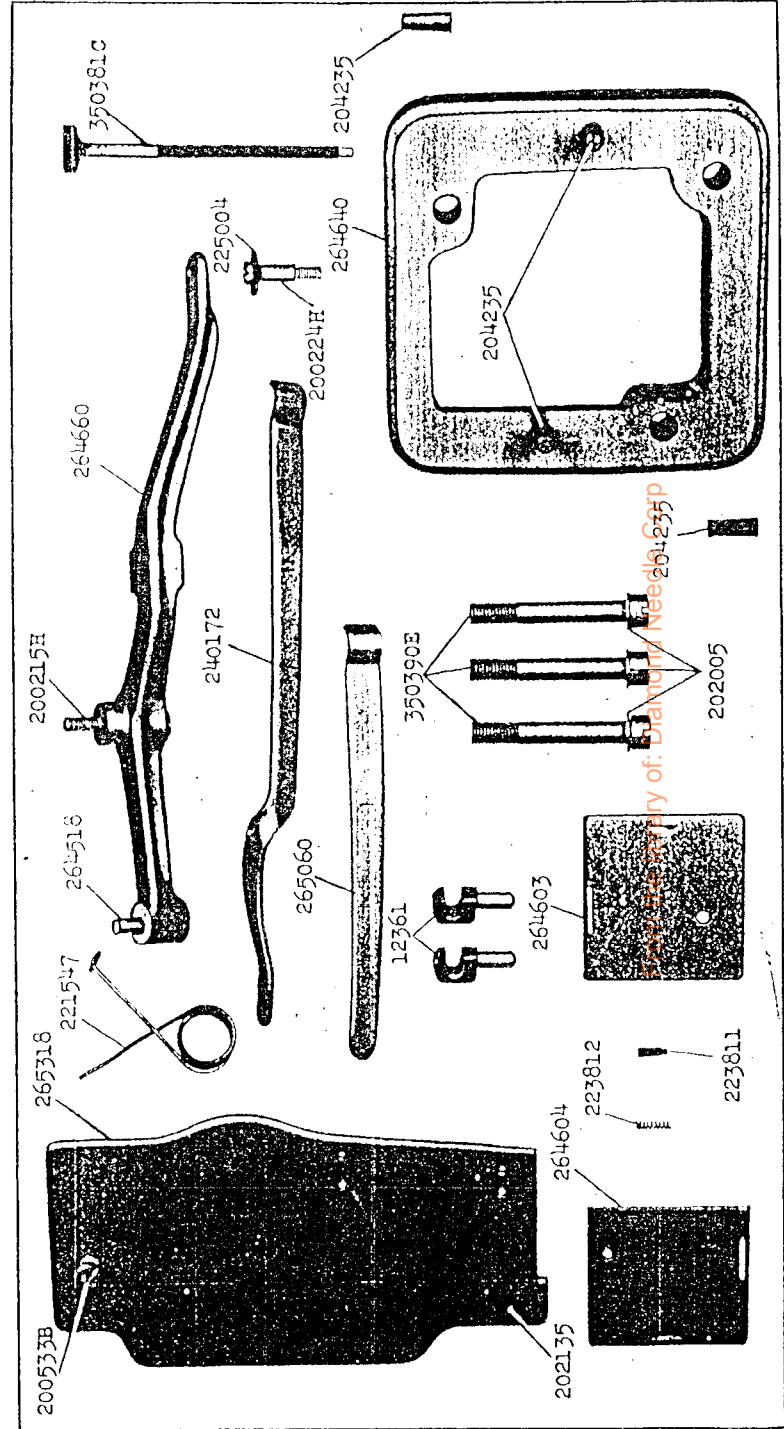
259482

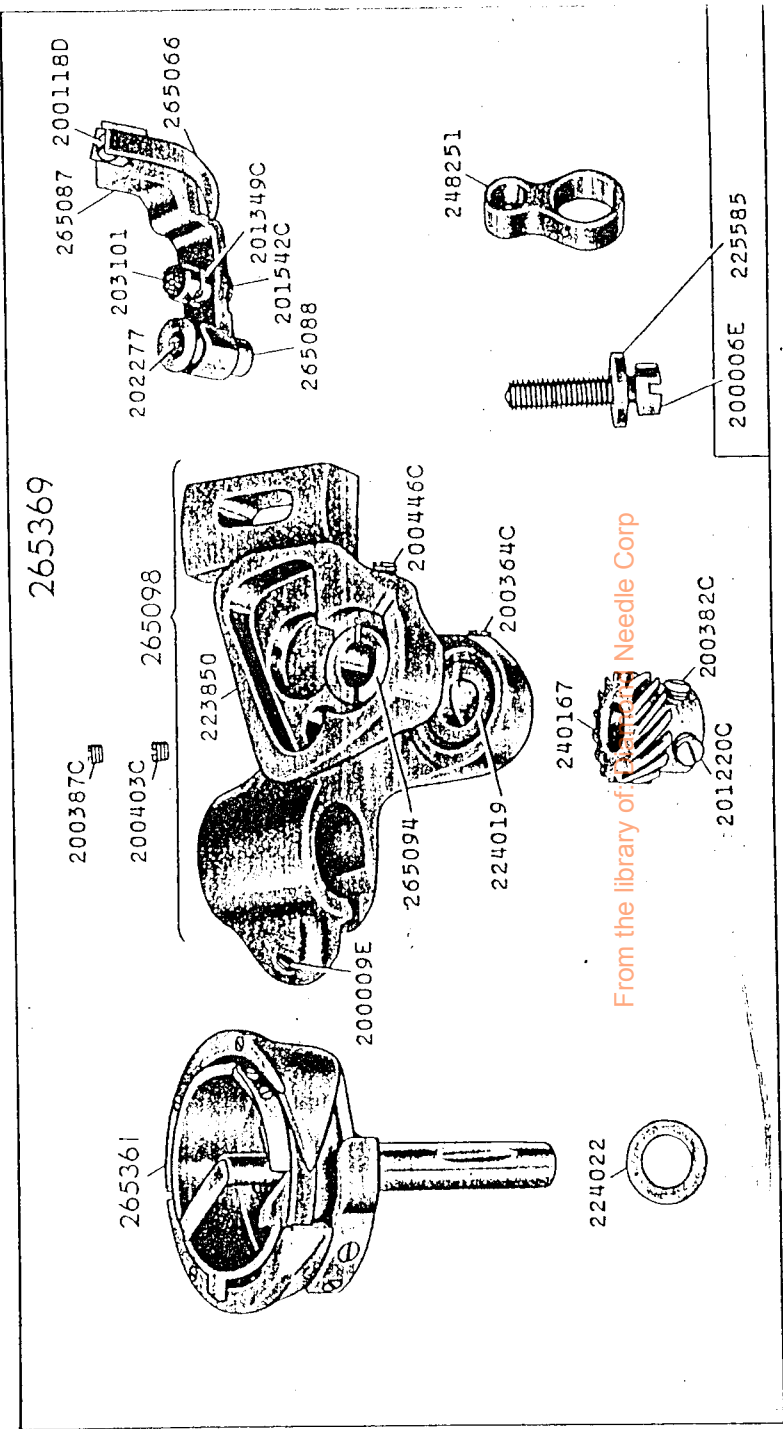
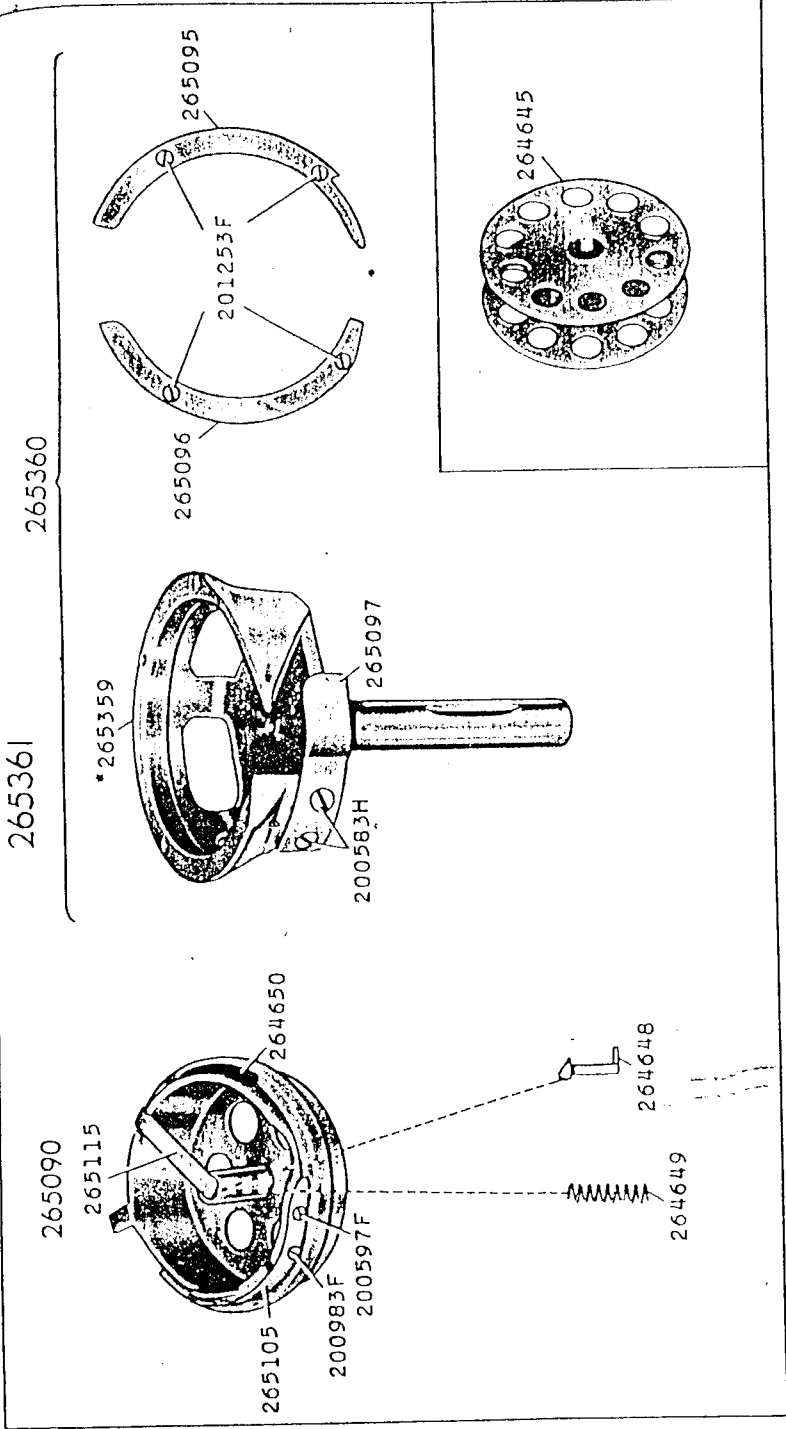


18511 - 1/2

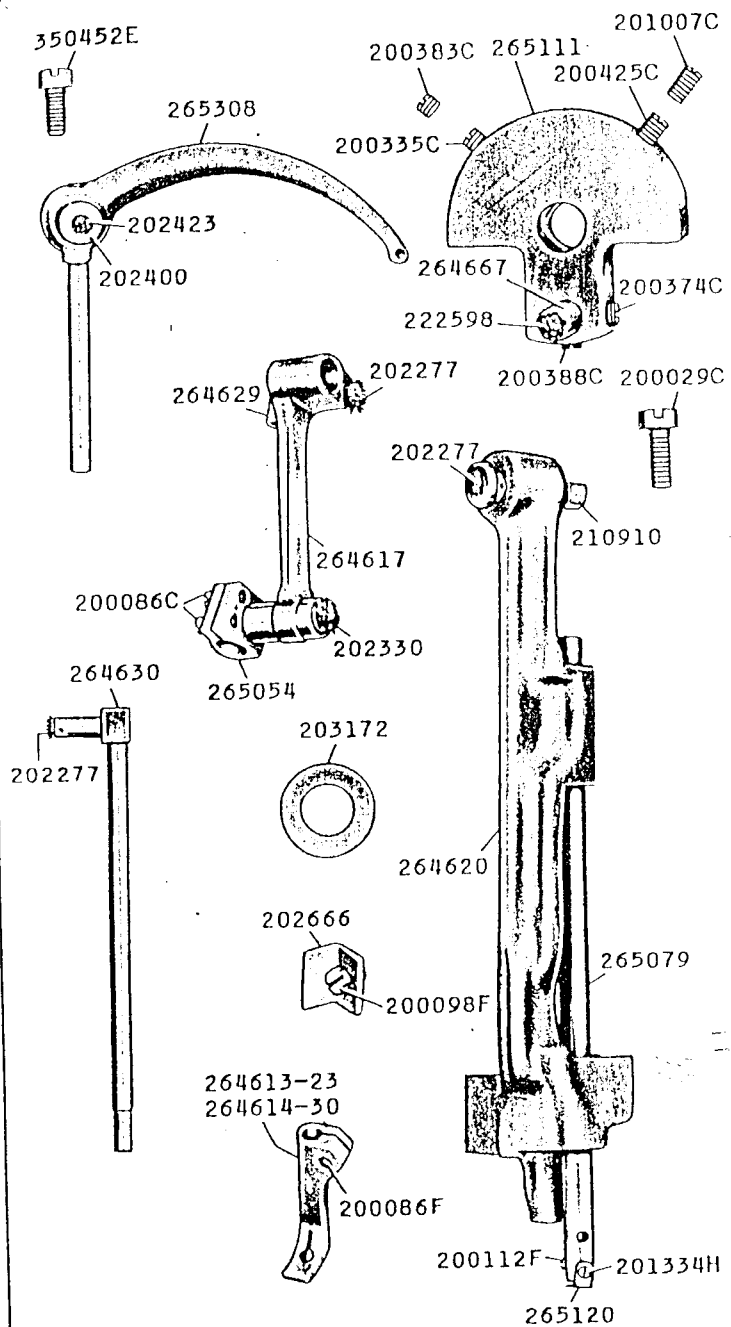


10133 - 1/3

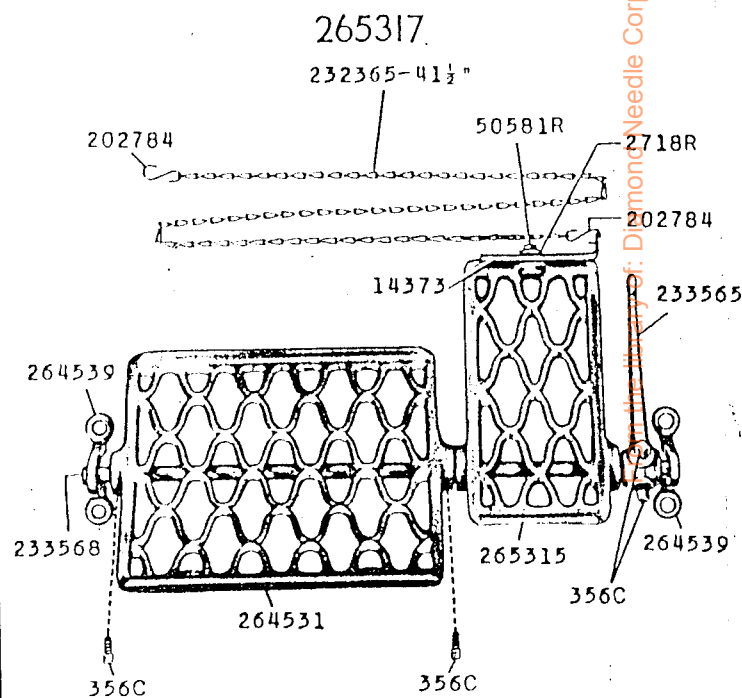
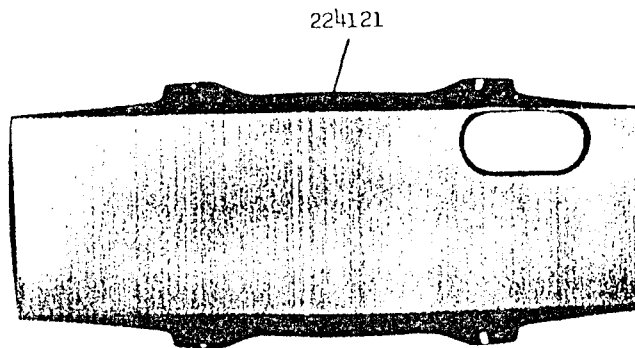




18506 - 1/2



10130 - 76



Diamond Needle Corp